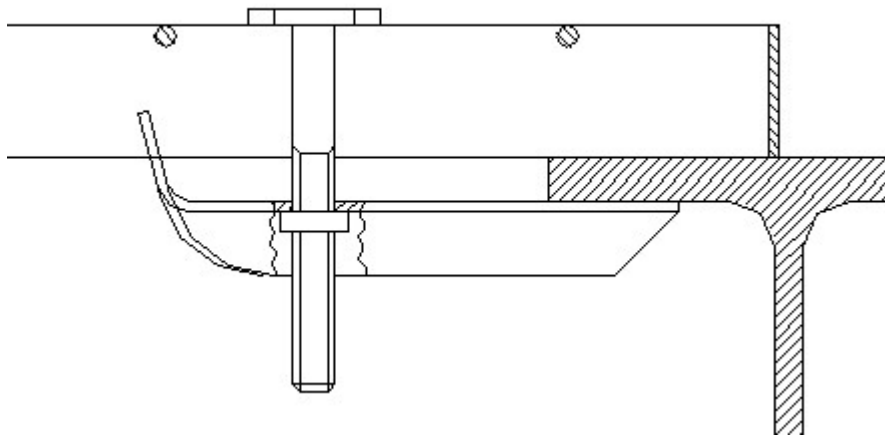


Clampy device IKG standard for use with 15x76 grid mesh

Purpose and use:

The clampy device for grating IKG is used to prevent accidental displacement or the easy removal of the panels of the horizontal. Is laid in place complete with thumbscrew special (screw to be inserted through the mesh of the grating), lower beak of fixing and square nut tightening.



The particular shape of the screw head, constitutes low visual impact (flat button) and is designed to be tightened with a wrench light 22mm.

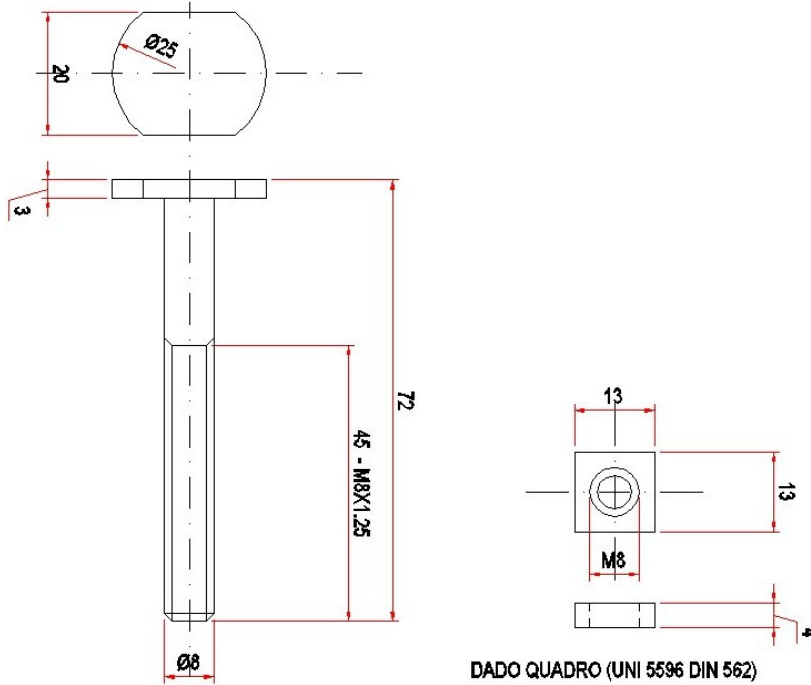
The lower nut M8 (UNI 5596) upon rotation of the screw is tightened to this, hindered rotation within the rostrum .

Geometrical characteristics:

The clampy device IKG consists of 3 elements:

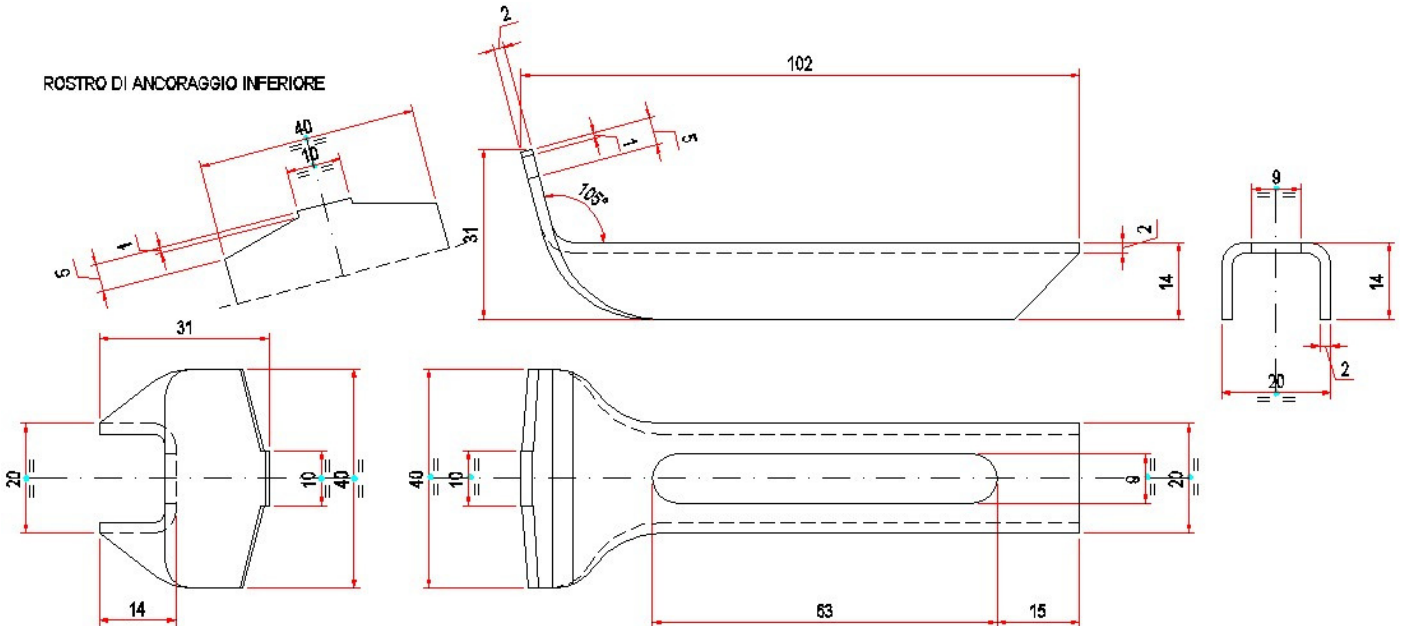
- Screw M8;
- Square nut M8;
- Rostrum anchor plate sp. 2 mm.

VITE TESTA PIATTA



DADO QUADRO (UNI 5596 DIN 562)

ROSTRO DI ANCORAGGIO INFERIORE



Material:

The material constituting the three individual parts of the clampy device IKG is comparable to steel S235. Each piece undergoes treating of hot dip galvanized.